

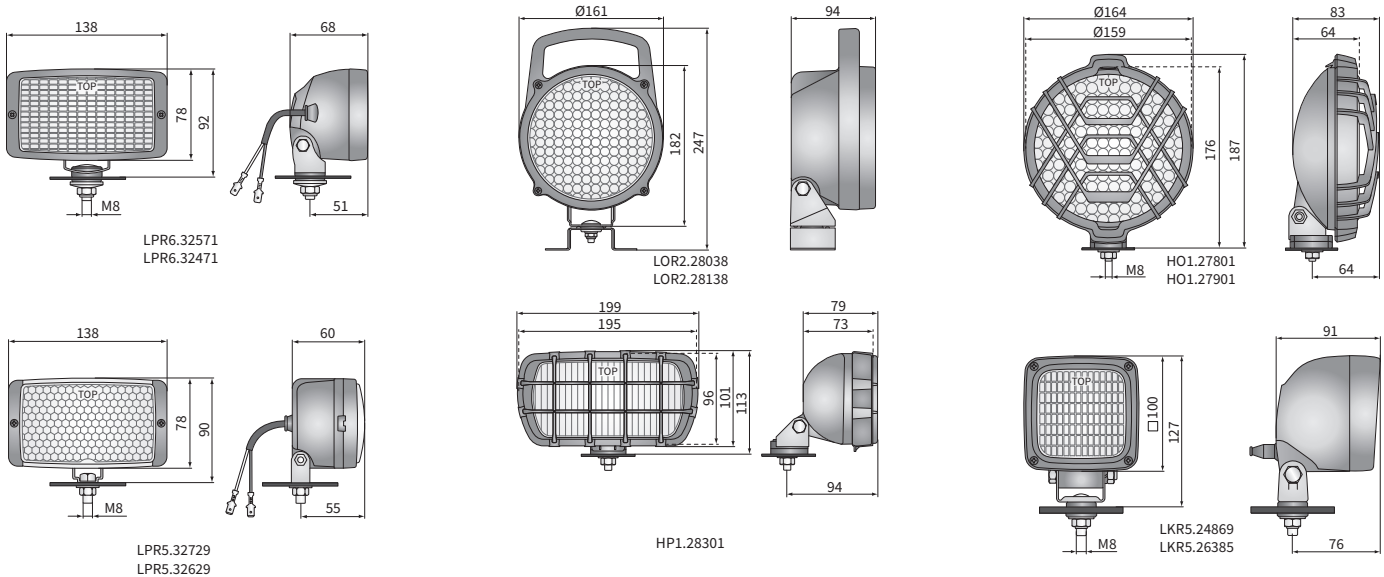


TECHNICAL DATA / FEATURES

- dimensions: 100x100x91, 138x78x60, 138x78x68, 195x96x73, ϕ 159x64, ϕ 161x94
- light functions: road signalling, emergency vehicles
- source of light: H3
- maximum power: 70W
- nominal voltage: 12V-24V DC
- optics: standard
- IP rating: IP66, IP69K, IP54, IP56
- mounting: M8, omega
- housing's material: plastic
- housing's colour: black
- lens' material: glass
- lens' colour: amber, dark blue
- built-in connectors: AMP Faston 250
- other: mounting in an upright or upside down position



DIMENSIONS



Cat. number	Light functions		Lens colour		Shape		IP rating	Accessories						Mounting method		Bracket		Packaging / pc	
	road signalling	emergency vehicles	amber	dark blue	rectangular	round		square	bulb H3 12V	handle	stone guard	switch	cable 0,15 m	AMP Faston connector	installed vertically up	suspended	M8	omega	carton box
LKR5.26385	✓		✓											✓	✓	✓		1	
LPR5.32729	✓		✓		✓										✓			1	
LPR6.32571	✓		✓		✓							✓			✓			1	
HP1A.46980	✓		✓		✓				✓						✓			1	
HO1.27801	✓		✓			✓									✓			1	
LOR2.28038	✓		✓			✓			✓		✓				✓		✓	1	
LKR5.24869		✓		✓									✓		✓			1	
LPR5.32629		✓		✓	✓			✓							✓			1	
LPR6.32471		✓		✓	✓							✓			✓			1	
HO1.27901		✓		✓	✓			✓							✓			1	