

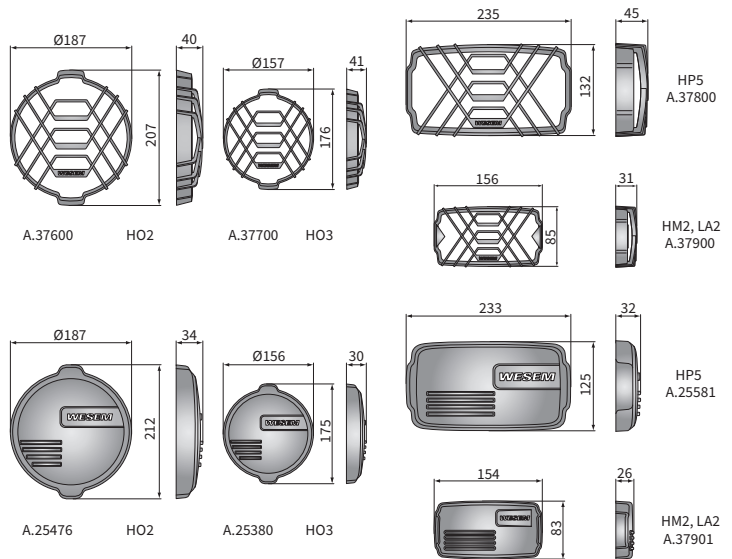


**ADDITIONAL INFORMATION**

Lamp covers and grills protect from accidental damage, extend durability and emphasize styling.

Mounting snaps help with easy installation and removal.

**DIMENSIONS**



Cat. number	Application	dedicated	Type		Shape		Packaging / pc			
			cover	stone guard	rectangular	round	plastic bag	plastic bag	carton box	
<b>A.37901</b>	HM2/LA2 lamp cover		✓					1		
<b>A.25581</b>	HP5 lamp cover		✓						1	
<b>A.25380</b>	HO3 lamp cover		✓						1	
<b>A.25476</b>	HO2 lamp cover		✓						1	
<b>A.37900</b>	HM2/LA2 lamp grill			✓		✓		1		
<b>A.37800</b>	HP5 lamp grill			✓		✓			1	
<b>A.37700</b>	HO3 lamp grill			✓			✓		1	
<b>A.37600</b>	HO2 lamp grill			✓			✓		1	
<b>A.08934</b>	HP1 lamp grill			✓		✓		1		
<b>A.25370</b>	LUM2 lamp cover		✓				✓	1		
<b>A.25360</b>	LUM1 lamp cover		✓				✓	1		