



TECHNICAL DATA / FEATURES

- dimensions: 156x92x80
- source of light: H3
- maximum power: 70W
- nominal voltage: 12V-24V DC
- optics: standard
- light distribution angle: 46° x 15°
- IP rating: IP66
- housing's material: plastic
- housing's colour: black
- lens' material: glass
- built-in connectors: -
- other (optional): handle
switch
PC lens



ADDITIONAL INFORMATION

Work lamps are used to illuminate working space near vehicles, tractors, slow-moving machines and any other places where indicated voltage is available.

Mounting: as a freestanding on body panels. They can be installed in any position (standing, hanging, on side).

Fixing system allows to change position of bracket (lower, upper, left, right).

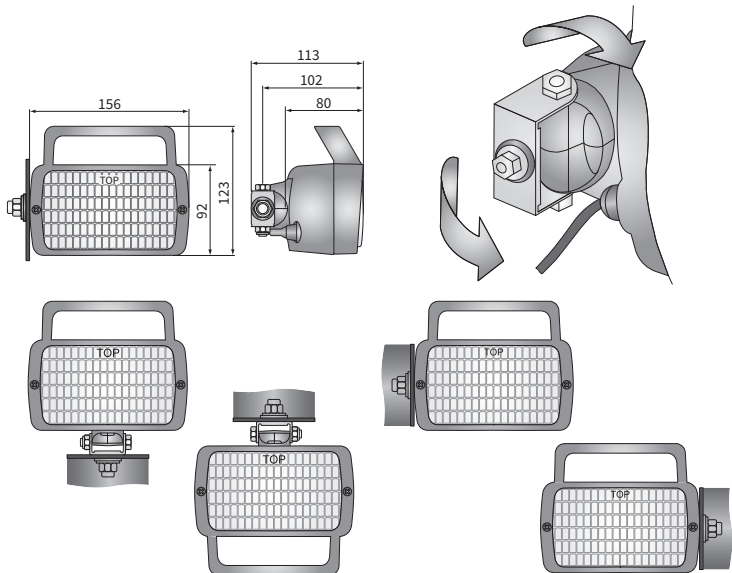
Do not use over 55W bulbs if the lamp is equipped with polycarbonate lens.

It is possible to install needed connectors on wire (on request).

Equivalents for Hella:

LPR4.25975 - 1GA 006 875-001

DIMENSIONS



| Cat. number | Type | | | | | | | | | | | | |
|-------------|------|---------------|---------|-------------|--|--------|--------|--------------|---------|------------|----------------|------------|-------------------|
| | H3 | Lens material | | Accessories | | handle | switch | cable 0,15 m | Bracket | Connectors | AMP Faston 250 | Deutsch DT | AMP SuperSeal 1,5 |
| LPR4.25975 | ✓ | glass | plastic | | | ✓ | ✓ | ✓ | ✓ | | | | |
| LPR4.26075 | ✓ | glass | plastic | | | ✓ | ✓ | ✓ | ✓ | | | | |

