



TECHNICAL DATA / FEATURES

- dimensions: $\phi 180 \times 69$
- light functions: driving, position
- function markings: HR, A
- maximum power: 27W, 3W
- nominal voltage: 12V-24V DC
- permissible power supply voltage: 10.5V-30V DC
- reference mark: 25
- source of light: 6 x LED
- IP rating: IP67, IP69K
- work temperature: $-40^{\circ}\text{C} - +80^{\circ}\text{C}$
- housing's material: aluminium
- lens' material: glass
- built-in connectors: -
- other: protection:
 - against overheating
 - against reverse polarisation
- screws made of Inox steel



ADDITIONAL INFORMATION

Stylish and robust lamps dedicated for trucks. LED technology used in driving and position light guarantees the highest efficiency.

The lamps comply with EMC Directive 2004/108/EC. They do not emit electromagnetic interference as well as they are resistant to it's influence.

Correct polarity required.

Mounting: as a freestanding or on vertical body work panels.

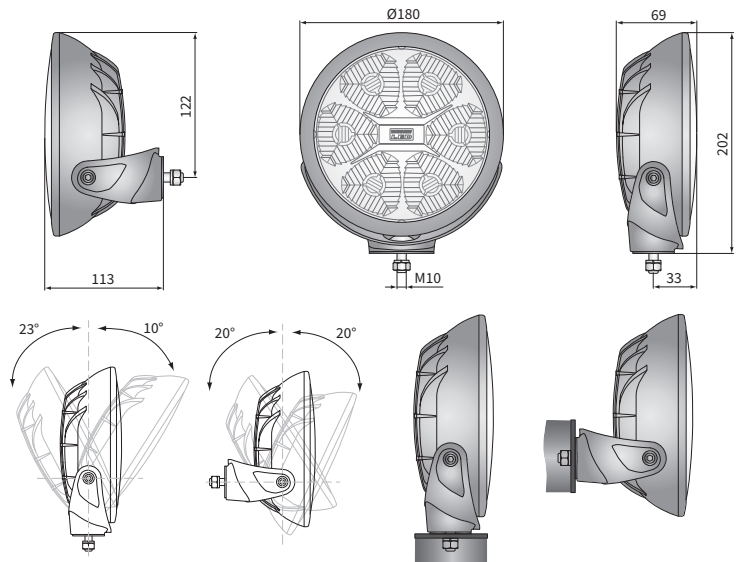
It is possible to install needed connectors on wire (on request).

Equivalents for Hella:

LUM2.51200 - 1F3 011 815-001

LUM2.51210 - 1F3 011 815-011

DIMENSIONS



Cat. number	Homologation code	Light functions		IP rating		Accessories				Connectors			
		driving	position	IP67	IP69K	LED module 12V-24V	light cover	chrome-plated frame	black frame	red frame	cable 0.5 m	AMP Faston 250	Deutsch DT
LUM2.51200	086	✓	✓	✓	✓	✓	✓	✓	✓	✓			
LUM2.51210	086	✓	✓	✓	✓	✓	✓	✓	✓	✓			
LUM2.51203	086	✓	✓	✓	✓	✓	✓	✓	✓	✓			

