



TECHNICAL DATA / FEATURES

- CAR1 series bracket - clamp connector made of plastic
- female clamp connector
- bracket and screws made of Inox steel
- for shaft diameter $\phi 24$ mm
- CAR2 series bracket - clamp connector made of plastic
- bracket and screws made of Inox steel
- for pipe diameter 15÷28 mm
- CAR3 series bracket - clamp made of aluminum alloy
- bracket and screws made of Inox steel
- for shaft $\phi 30$ mm (DIN 14640)
- CAR4 series bracket - neodymium magnet
- in set: washers, nuts and bolts
- CAR5 series bracket - suction cup



ADDITIONAL INFORMATION

They help to install work lamps in untypical and hard-to-reach areas on the vehicle.

For heavy work lamps, it is recommended to use magnetic holder with 2 magnets.

Equivalents for Hella:

CAR1.47300 - 8HG 990 320-001

CAR2.49100 - 8HG 990 263-111

CAR4.51301 - 8HG 004 806-001

Dedicated application:

A - work lamps of LED serie

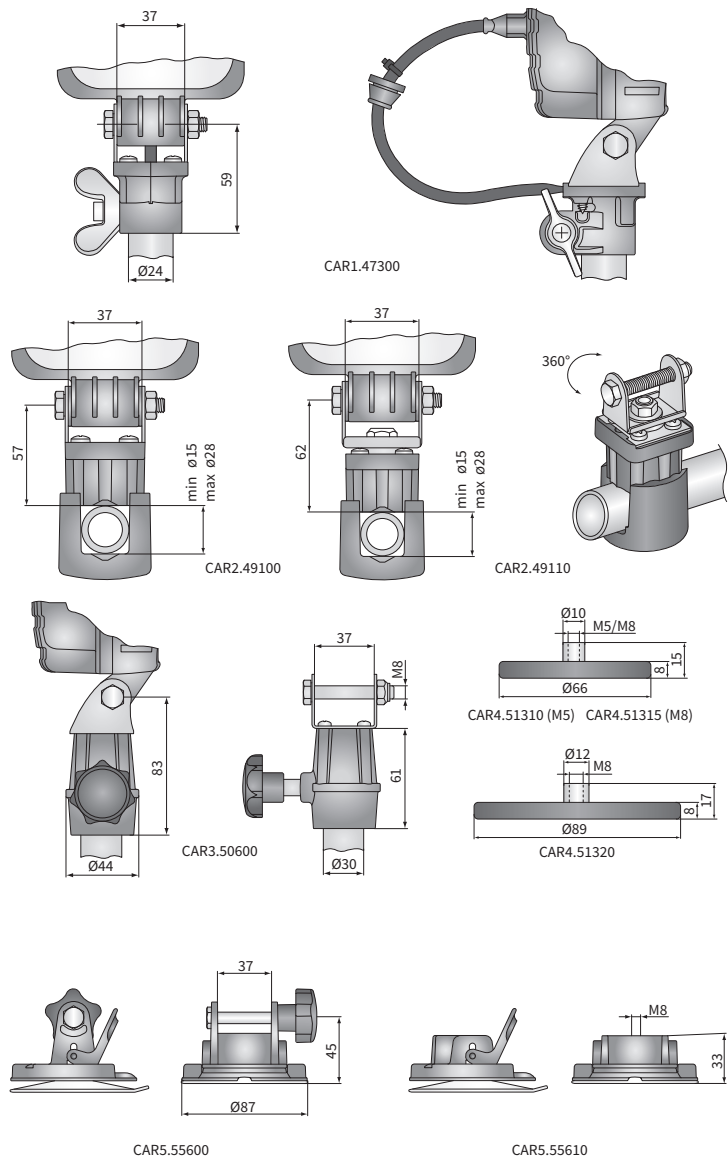
B - work lamps

C - tractors Case: IH, CS, CVX, JX, MAGNUM, MX, MXM

D - work lamps for fire-fighting vehicles

E - work lamps of CRC5 serie

DIMENSIONS



| Cat. number | Type | | Diameter | Lifting capacity | Accessories | Bracket | Application dedicated |
|-------------------|--------------------------|------------------------------|-------------------|----------------------|---|----------------|-----------------------|
| | on the shank on the pipe | neodymium magnet suction cup | | | | | |
| CAR1.47300 | ✓ | | Ø66 Ø87 Ø89 | 150N 230N 500N | 3D adjustment AMP Faston connector DT06-2S connector DIN 72591 connector | M5 M6 M8 | A |
| CAR1.47301 | ✓ | | | | | | A |
| CAR2.49100 | | ✓ | | | | | A/C |
| CAR2.49110 | | ✓ | | | ✓ | | A/D |
| CAR3.50600 | ✓ | | | | | | D |
| CAR4.51310 | | ✓ | | | | ✓ | A/B |
| CAR4.51312 | | ✓ | | | | | B |
| CAR4.51315 | | ✓ | | | | | A/B |
| CAR4.51330 | | ✓ | | | | ✓ | B |
| CAR4.51320 | | ✓ | | | | ✓ | A/B |
| CAR5.55600 | | ✓ | | | | | E |
| CAR5.55610 | | ✓ | | | | ✓ | |